

Part Number: PT924-47100

Kit Contents

Item #	Quantity Req.	Description
1	1	Sub-floor Organizer
2	1	Installation Instructions

Hardware Bag Contents

Item #	Quantity Req.	Description
1	N/A	

Additional Items Required For Installation

Item #	Quantity Req.	Description
1	N/A	

Conflicts

None

Recommended Tools

Personal & Vehicle Protection	Notes
None	
Special Tools	Notes
None	
Installation Tools	Notes
None	
Special Chemicals	Notes
None	

General Applicability

All

Recommended Sequence of Application

Item #	Accessory

*Mandatory

Vehicle Service Parts (may be required for reassembly)

Item #	Quantity Req.	Description

Legend



STOP: Damage to the vehicle may occur. Do not proceed until process has been complied with.



OPERATOR SAFETY: Use caution to avoid risk of injury.



CAUTION: A process that must be carefully observed in order to reduce the risk of damage to the accessory/vehicle and to ensure a quality installation.



TOOLS & EQUIPMENT: Used in Figures calls out the specific tools and equipment recommended for this process.



REVISION MARK: This mark highlights a change in installation with respect to previous issue.



SAFETY TORQUE: This mark indicates that torque is related to safety.



Care must be taken when installing this accessory to ensure damage does not occur to the vehicle. The installation of this accessory should follow approved guidelines to ensure a quality installation.

These guidelines can be found in the "Accessory Installation Practices" document.

This document covers such items as:-

- Vehicle Protection (use of covers and blankets, cleaning chemicals, etc.).
- Safety (eye protection, rechecking torque procedure, etc.).
- Vehicle Disassembly/Reassembly (panel removal, part storage, etc.).
- Electrical Component Disassembly/Reassembly (battery disconnection, connector removal, etc.).

Please see your Toyota dealer for a copy of this document.

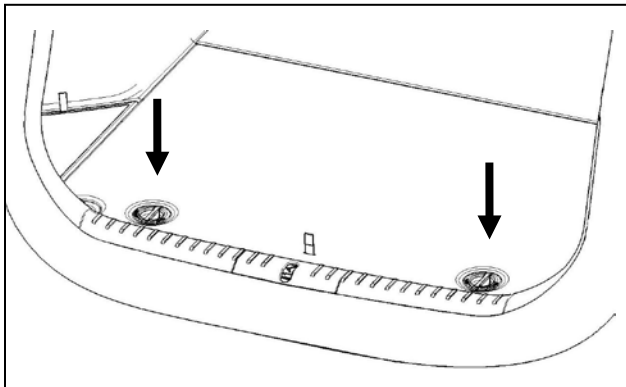


Fig. 1- 1

1. Installation of Sub-Floor Organizer.

STOP NOTE: If this item is “throw-in” (PPO only), place in the trunk. If not, follow instructions below.

(a) Open rear hatch and locate the two floor turn-locks. Unlock per the directions imprinted on the locks. (See Fig. 1-1)

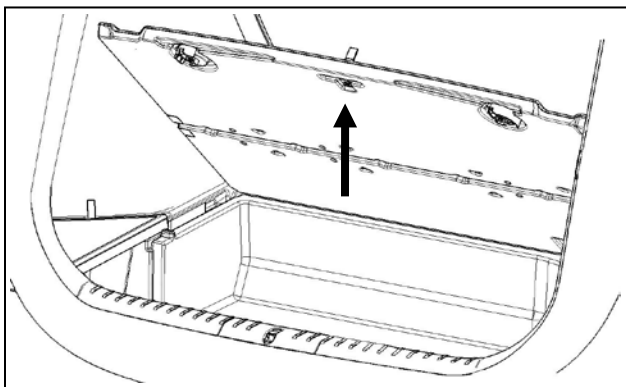


Fig. 1-2

(b) Raise floor panel as shown and fold over. (See Fig. 1-2)

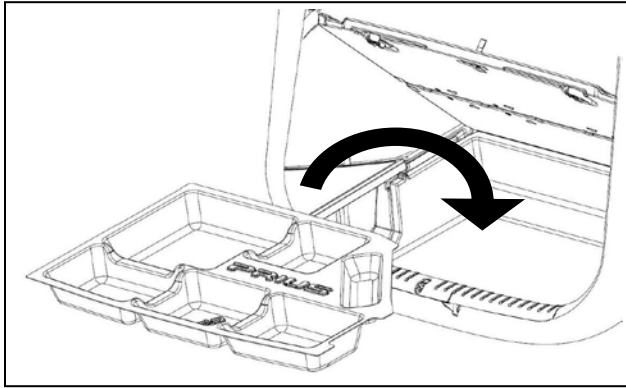


Fig. 1-3

- (c) Orient sub-floor organizer so the shape matches the under floor compartment. Insert sub-floor organizer into the compartment. (See Fig. 1-3)

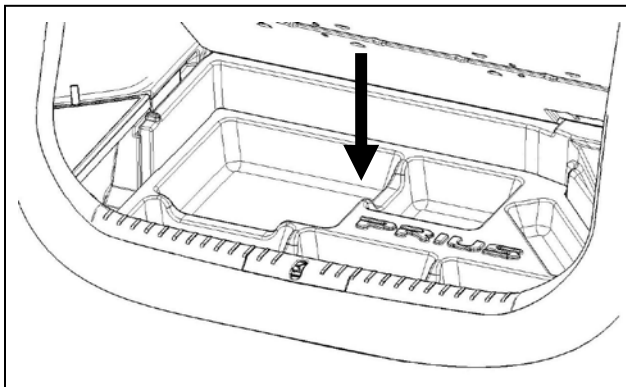


Fig. 1-4

- (d) Push down gently to seat sub-floor organizer in bottom of compartment as shown. (See Fig. 1-4)

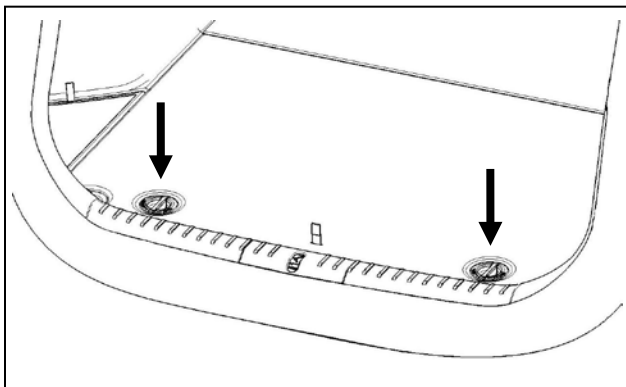


Fig. 1-5

- (e) Close floor panel and twist the turn locks to secure the panel in place. (See Fig. 1-5)

TOYOTA PRIUS 2010 - SUB-FLOOR ORGANIZER

Checklist - these points **MUST** be checked to ensure a quality installation.

<u>Check:</u>	<u>Look For:</u>
<p><u>Accessory Function Checks</u></p> <p><input type="checkbox"/> Confirm that the sub-floor organizer is seated properly.</p>	<p>Consistent height around perimeter of Sub-Floor Organizer edge</p> <p>Ensure rear hatch is closed and locked in place.</p>
<p><u>Vehicle Function Checks</u></p> <p><input type="checkbox"/> Sub-Floor Panel</p>	<p>Ensure the sub-floor panel can open, close, lock and unlock without interference from Sub-Floor Organizer.</p>
<p><u>Vehicle Appearance Check</u></p> <p><input type="checkbox"/> After accessory installation and removal of protective cover(s), perform a visual inspection.</p>	<p>Ensure no damage (including scuffs and scratches) was caused during the installation process.</p> <p>(For PPO installations, refer to TMS Accessory Quality Shipping Standard.)</p>